

Toll Free (800) 527-1318

(972) 286-2368

Fax: (972) 557-4727



Alloy Casting



ALUMINUM CASTINGS




| | |
|-------------|---------|
| 1090 | |
| HEIGHT: 5" | 12.7 cm |
| WIDTH: 10" | 25.4 cm |
| THICK: | |
| WEIGHT: | |




| | |
|-----------------|----------|
| 1132 | |
| HEIGHT: 5.5" | 13.97 cm |
| WIDTH: 11" | 27.9 cm |
| THICK: 1.75" | 4.45 cm |
| WEIGHT: 1.0 lbs | 2.54 kgs |

| | |
|------------------|----------|
| 1191 | |
| HEIGHT: 5.25" | 14.94 cm |
| WIDTH: 0.75" DIA | 1.91 cm |
| THICK: | |
| WEIGHT: | |


4" WELDABLE BUTT HINGE



Non removable Aluminum Pin
3/8" DIA
Leaf 1/8" Thick

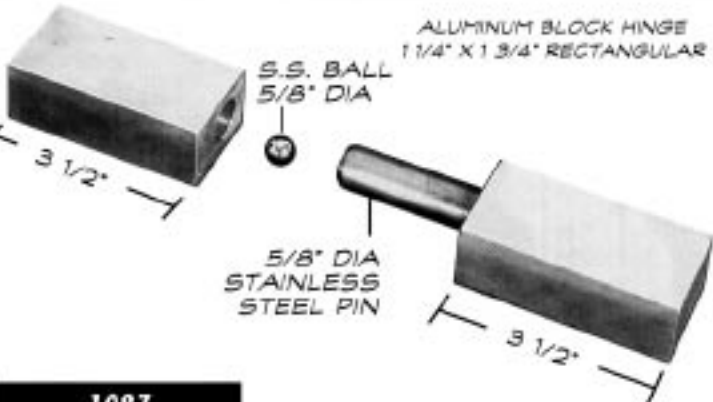
| | |
|-----------------|----------|
| 1094 | |
| HEIGHT: 4" | 10.16 cm |
| WIDTH: 4" | 10.16 cm |
| THICK: 1/2" | 1.27 cm |
| WEIGHT: 0.2 lbs | 0.51 kgs |

SIMPLEX LOCK BOX



| | |
|-----------------|----------|
| 1197 | |
| HEIGHT: 5.5" | 13.97 cm |
| WIDTH: 4" | 10.2 cm |
| THICK: 1.75" | 4.45 cm |
| WEIGHT: 0.5 lbs | 1.27 kgs |

ALUMINUM BLOCK HINGE 1 1/4" X 1 3/4" RECTANGULAR



S.S. BALL
5/8" DIA




5/8" DIA STAINLESS STEEL PIN

3 1/2"

GREASE FITTING

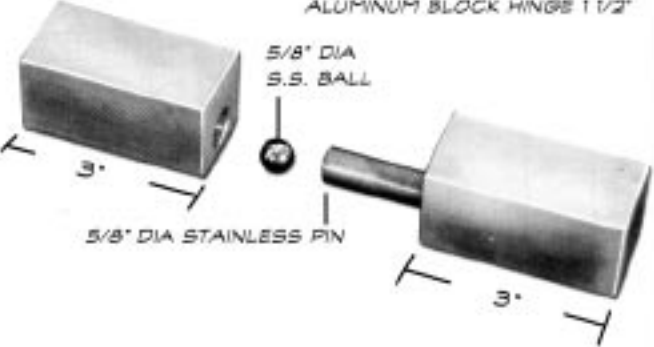
| | |
|-----------------|----------|
| 1087 | |
| HEIGHT: 7 1/8" | 18.11 cm |
| WIDTH: 1 3/4" | 4.45 cm |
| THICK: 1 1/4" | 3.18 cm |
| WEIGHT: 1.8 lbs | 4.57 kgs |

SIMPLEX LOCK BOX

| | |
|-----------------|----------|
| 1297 | |
| HEIGHT: 8.5" | 21.59 cm |
| WIDTH: 4.63" | 11.76 cm |
| THICK: 1.75" | 4.45 cm |
| WEIGHT: 0.8 lbs | 2.03 kgs |

ALUMINUM BLOCK HINGE 1 1/2"



5/8" DIA S.S. BALL

5/8" DIA STAINLESS STEEL PIN

3"

GREASE FITTING

| | |
|-----------------|----------|
| 1086 | |
| HEIGHT: 6 1/8" | 15.57 cm |
| WIDTH: 1 1/2" | 3.81 cm |
| THICK: 1 1/2" | 3.81 cm |
| WEIGHT: 1.5 lbs | 3.81 kgs |

Revision Date: 05/01/00