




**8424** 1"  
NEW



TOP IS 5/8 INCH SQUARE.  
FITS INTO 1" TUBING.

HEIGHT 2 IN	5.1 CM
WIDTH 1 1/8 IN	2.9 CM
THICK 1 1/4 IN	3.2 CM
WEIGHT 0.08 LBS	0.04 KGS


**8423** 1"  
NEW



TOP IS 3/4 INCH SQUARE.  
FITS INTO 1" TUBING.

HEIGHT 1 7/8 IN	4.8 CM
WIDTH 1 1/4 IN	3.2 CM
THICK 7/8 IN	2.2 CM
WEIGHT 0.1 LBS	0.03 KGS


**8450** 1/2"  
OLD 45



HOLE IS 1/2 IN. SQUARE.

HEIGHT 1 3/4 IN	4.4 CM
WIDTH 1 3/4 IN	4.4 CM
THICK 1 IN	2.5 CM
WEIGHT 0.10 LBS	0.05 KGS


**8410** 1/2" X 1"  
OLD 41



HOLE IS 1 IN. BY 1/2 IN.

HEIGHT 2 IN	5.1 CM
WIDTH 1 3/8 IN	3.5 CM
THICK 2 IN	5.1 CM
WEIGHT 0.06 LBS	0.03 KGS


**8420** 1"  
OLD 42



HOLE IS 1 IN. SQUARE.

HEIGHT 2 3/4 IN	12.1 CM
WIDTH 1 3/4 IN	12.1 CM
THICK 1 1/4 IN	1.9 CM
WEIGHT 0.2 LBS	0.1 KGS


**8421** 1"  
OLD 42A



HOLE IS 1 IN. SQUARE.

HEIGHT 3 3/4 IN	9.5 CM
WIDTH 1 3/4 IN	4.4 CM
THICK 1 3/8 IN	3.5 CM
WEIGHT 0.2 LBS	0.1 KGS


**8430** 1"  
OLD 43



HOLE IS 1 IN. SQUARE.

HEIGHT 2 3/8 IN	6.0 CM
WIDTH 2 3/8 IN	6.0 CM
THICK 1 IN	2.5 CM
WEIGHT 0.10 LBS	0.05 KGS

**9218** 1"  
NEW




TOP VIEW  
SIDE VIEW

HOLE IS 1 IN. SQUARE. PROFILE  
MATCHES NO. 9194 FOUND ON  
PAGE 74.

HEIGHT 2 1/2 IN	10.0 CM
WIDTH 2 1/2 IN	10.0 CM
THICK 7/8 IN	2.2 CM
WEIGHT 0.2 LBS	0.1 KGS

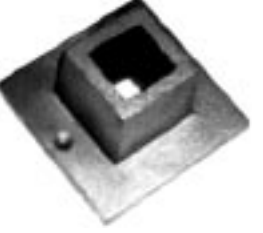
**8470** 1"  
OLD 47



HOLE IS 1 IN. SQUARE.

HEIGHT 2 3/4 IN	7.0 CM
WIDTH 2 3/4 IN	7.0 CM
THICK 1 IN	2.5 CM
WEIGHT 0.2 LBS	0.2 KGS


**8425** 1"  
NEW



HEAVY DUTY CASTING.  
TAPERED HOLE  
1 1/8" OPENING AT TOP  
1" OPENING AT BOTTOM.

HEIGHT 3 5/8 IN	9.2 CM
WIDTH 3 5/8 IN	9.2 CM
THICK 2 IN	5.1 CM
WEIGHT 0.3 LBS	0.2 KGS

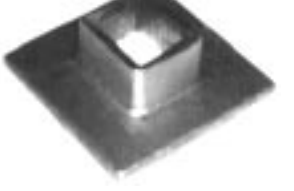
**8471** 1"  
NEW



HOLE IS 1 INCH SQUARE. BOLT  
DOWN HOLE TAPPERS DOWN  
TO 3/16 INCH DIAMETER.

HEIGHT 2 5/8 IN	6.7 CM
WIDTH 2 5/8 IN	6.7 CM
THICK 1/4 IN	0.6 CM
WEIGHT 0.1 LBS	0.05 KGS

**9201** 1 3/8" X 1 1/4"  
NEW



HOLE IS 1 3/8 INCHES  
BY 1 1/4 INCHES.

HEIGHT 4 1/2 IN	11.4 CM
WIDTH 4 1/2 IN	11.4 CM
THICK 1 1/2 IN	3.8 CM
WEIGHT 0. LBS	0.3 KGS