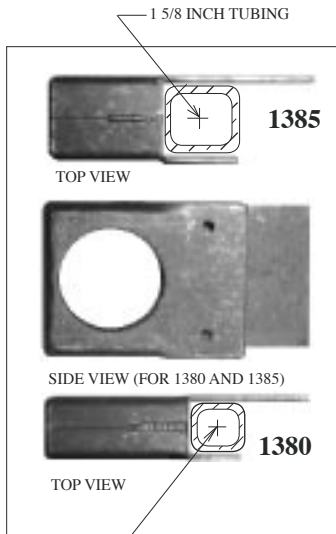




ALUMINUM LOCKBOXES ALLOY 5052 - 1/8 INCH THICK

BOXES COME WITH STAINLESS STEEL SCREWS FOR STRIKE PLATE

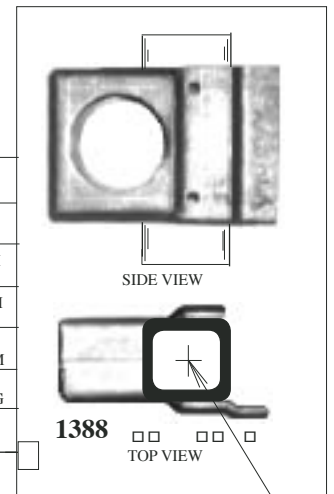
BOLT ON - ONE HOLE - WITH GUARD



CAN BE USED WITH PREPAINTED TUBING

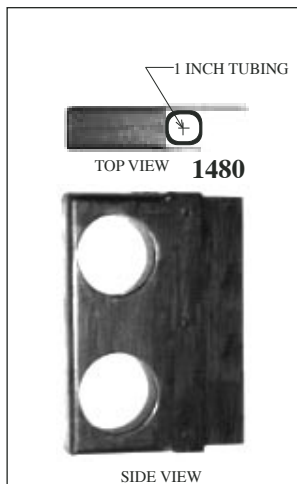
NOTE: ON THE 1385 (1 5/8 INCH TUBING) AND THE 1388 (2 INCH TUBING), LOCK SETS WITH EXTRA LONG TANGS MUST BE USED.

CATALOG NO.	1380	1385	1388
TUBING	1"	1 5/8"	2"
THICKNESS	1 1/4 IN 5.7 CM	1 7/8 IN 4.8 CM	2 IN 3.2 CM
HEIGHT	3 1/4 IN 17.2 CM	3 1/4 IN 8.3 CM	3 1/4 IN 8.3 CM
WIDTH	5 3/16 IN 11.1 CM	5 3/4 IN 14.6 CM	5 IN 13.5 CM
WEIGHT	0.3 LB 0.2 KG	0.4 LB 0.2 KG	0.4 LB 0.2 KG
HOLES	4 @ 1/4 IN DIAM.	4 @ 1/4 IN DIAM.	4 @ 1/4 IN DIAM.
BACKSET	2 3/8	2 3/4	2 3/8



NOTE: THE 1388 LOCK BOX FITS OVER STANDARD 2 INCH ALUMINUM TUBING. HOLES ON THE SIDE OF THE LOCKBOX ARE 13/64 INCH SQUARE FOR USE WITH 3/16 INCH CARRIAGE BOLTS (4 PLACES). 2 INCH TUBING MUST BE CUT OUT, 7/8 INCH BY 3 1/4 INCHES, TO SLIP IN (AND OVER) THE LOCK BOX.

BOLT ON - TWO HOLE - WITH GUARD



CAN BE USED WITH PREPAINTED TUBING

NOTE: ON THE 1485 (1 1/2 INCH TUBING), LOCK SETS WITH EXTRA LONG TANGS MUST BE USED.

CATALOG NO.	1480	1485
TUBING	1"	1 5/8"
THICKNESS	1 1/4 IN 3.2 CM	1 7/8 IN 4.8 CM
HEIGHT	6 7/8 IN 17.5 CM	6 7/8 IN 17.5 CM
WIDTH	5 1/4 IN 13.3 CM	5 3/4 IN 14.6 CM
WEIGHT	0.7 LB 0.3 KG	0.8 LB 0.4 KG
HOLES	6 @ 1/4 IN DIAM.	6 2 1/4 IN DIAM
BACKSET	2 3/8	2 3/4

