

FLANGES SQUARE HOLE 1 1/2"

Toll Free (800) 527-1318
(972) 286-2368
Fax (972) 557-4727

ALLOY CASTING

Aluminum



NEW
A TYPE 1 1/2" □

HOLE IS 1 1/2" X 1 1/2" SQUARE

8912
HEIGHT 3 7/8"
WIDTH: 3 7/8"
THICK: 5/8"
WEIGHT: .2 lbs

NEW
A TYPE 1 1/2" □

HOLE IS 1 1/2" X 1 1/2" SQUARE

4773
HEIGHT 4 3/4"
WIDTH: 3 3/8"
THICK: 1 5/8"
WEIGHT: .45 lbs

NEW IN DEVELOPMENT
A TYPE 1 1/2" □

HOLE IS 1 1/2" X 1 1/2" SQUARE

2495
HEIGHT 3 3/4"
WIDTH: 2 3/4"
THICK: 1 3/8"
WEIGHT: .3 lbs

NEW
A TYPE 1 1/2" □

HOLE IS 1 1/2" X 1 1/2" SQUARE

2496
HEIGHT 4 5/8"
WIDTH: 2 3/4"
THICK: 1 3/8"
WEIGHT: .35 lbs

NEW
V TYPE 1 1/2" □

HOLE IS 1 1/2" X 1 1/2" SQUARE

9915
HEIGHT 3"
WIDTH: 3"
THICK: 1/2"
WEIGHT: .10 lbs

NEW
V TYPE 1 1/2" □

HOLE IS 1 1/2" X 1 1/2" SQUARE

8490
HEIGHT 3 1/2"
WIDTH: 3 1/2"
THICK: 1"
WEIGHT: .3 lbs

NEW
V TYPE 1 1/2" □

HOLE IS 1 1/2" X 1 1/2" SQUARE

495
HEIGHT 3 5/8"
WIDTH: 2 1/2"
THICK: 1 1/4"
WEIGHT: .3 lbs

NEW
V TYPE 1 1/2" □

HOLE IS 1 1/2" X 1 1/2" SQUARE

8496
HEIGHT 4 5/8"
WIDTH: 2 5/8"
THICK: 1 1/4"
WEIGHT: .3 lbs

NEW
V TYPE 1 1/2" □

HOLE IS 1 1/2" X 1 1/2" SQUARE

8491
HEIGHT 3 1/2"
WIDTH: 3 1/2"
THICK: 1/4"
WEIGHT: .2 lbs

NEW
V TYPE 1 1/2" □
HOLES 1/4" IN DIA.

HOLE IS 1 1/2" X 1 1/2" SQUARE

1417
HEIGHT 4 1/8"
WIDTH: 4 1/8"
THICK: 1 3/4"
WEIGHT: .6 lbs

NEW IN DEVELOPMENT
A TYPE 1 1/2" □

HOLE IS 1 1/2" X 1 1/2" SQUARE

498
HEIGHT 3 7/8"
WIDTH: 3 7/8"
THICK: 1 3/4"
WEIGHT: .4 lbs

NEW
A TYPE 1 1/2" □
HOLES 1/4" IN DIA.

HOLE IS 1 1/2" X 1 1/2" SQUARE

8497
HEIGHT 3 7/8"
WIDTH: 3 7/8"
THICK: 3/4"
WEIGHT: .3 lbs



ALLOY CASTING

Aluminum

Toll Free (800) 527-1318

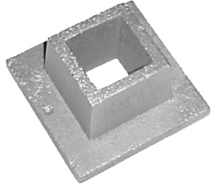
(972) 286-2368

Fax (972) 557-4727

FLANGES

SQUARE HOLE 1 1/2" & 2"

V TYPE 1.5" □



HEAVY DUTY PIECE
HAS TAPERED HOLE 1 5/8"
OPENING AT TOP 1 1/2"
OPENING AT BOTTOM

8498

HEIGHT	4 1/8"
WIDTH:	4 1/8"
THICK:	2"
WEIGHT:	1.1 lbs

V TYPE 2" □



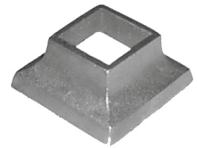
HOLE IS 2" X 2" SQUARE

8509

HEIGHT	3 3/4"
WIDTH:	3 3/4"
THICK:	1/4"
WEIGHT:	.25 lbs

NEW

A TYPE 2" □



HOLE IS 2" X 2" SQUARE

8620

HEIGHT	4 3/8"
WIDTH:	4 3/8"
THICK:	2"
WEIGHT:	.7 lbs

NEW

A TYPE 2" □



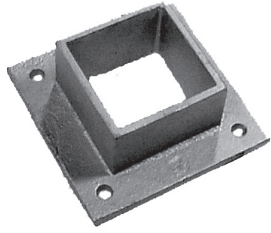
HOLE IS 2" BY 2" SQUARE

8501

HEIGHT	5 1/8"
WIDTH:	5 1/8"
THICK:	1 3/4"
WEIGHT:	1.1 lbs

NEW

V TYPE 2" □



HOLE IS 2" BY 2" SQUARE

1421

HEIGHT	4"
WIDTH:	4"
THICK:	1 1/2"
WEIGHT:	.5 lbs

V TYPE 2" □



HOLE IS 2" X 2" SQUARE

8508

HEIGHT	3 3/4"
WIDTH:	3 3/4"
THICK:	1 1/4"
WEIGHT:	.4 lbs

V TYPE 2" □

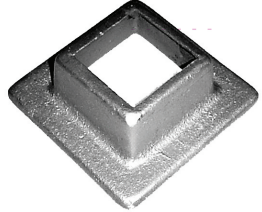


HOLE IS 2" X 2" SQUARE

8507

HEIGHT	4 3/4"
WIDTH:	4 3/4"
THICK:	3/4"
WEIGHT:	.5 lbs

A TYPE 2" □



HOLE IS 2" X 2" SQUARE

8500

HEIGHT	4 3/4"
WIDTH:	4 3/4"
THICK:	1 5/8"
WEIGHT:	.5 lbs

NEW

V TYPE 2" □



HOLE IS 2" X 2" SQUARE

1420

HEIGHT	4 7/8"
WIDTH:	3"
THICK:	1 5/8"
WEIGHT:	.45 lbs

NEW

A TYPE 2" □



HOLE IS 2" X 2" SQUARE
LOW PROFILE COVER SHOE
FOR 1/4" THICK PLATE

8510

HEIGHT	5 1/8"
WIDTH:	5 1/8"
THICK:	7/8"
WEIGHT:	.5 lbs

NEW

V TYPE 2" □



HOLE IS 2" X 2" SQUARE

1401

HEIGHT	4 5/8"
WIDTH:	3 7/8"
THICK:	1 1/2"
WEIGHT:	.35 lbs

NEW

V TYPE 2" □



HOLE IS 2" X 2" SQUARE

8505

HEIGHT	4 5/8"
WIDTH:	3 3/4"
THICK:	1 1/2"
WEIGHT:	.70 lbs