



# ALLOY CASTING

Aluminum

Toll Free (800) 527-1318

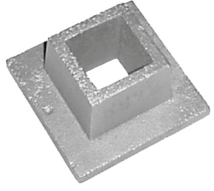
(972) 286-2368

Fax (972) 557-4727

# FLANGES

## SQUARE HOLE 1 1/2" & 2"

V TYPE 1.5" □



HEAVY DUTY PIECE  
HAS TAPERED HOLE 1 5/8"  
OPENING AT TOP 1 1/2"  
OPENING AT BOTTOM

**8498**

HEIGHT	4 1/8"
WIDTH:	4 1/8"
THICK:	2"
WEIGHT:	1.1 lbs

V TYPE 2" □



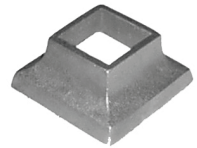
HOLE IS 2" X 2" SQUARE

**8509**

HEIGHT	3 3/4"
WIDTH:	3 3/4"
THICK:	1/4"
WEIGHT:	.25 lbs

**NEW**

A TYPE 2" □



HOLE IS 2" X 2" SQUARE

**8620**

HEIGHT	4 3/8"
WIDTH:	4 3/8"
THICK:	2"
WEIGHT:	.7 lbs

**NEW**

A TYPE 2" □



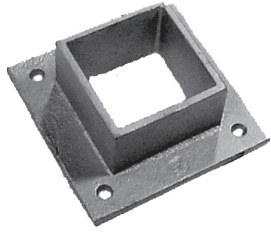
HOLE IS 2" BY 2" SQUARE

**8501**

HEIGHT	5 1/8"
WIDTH:	5 1/8"
THICK:	1 3/4"
WEIGHT:	1.1 lbs

**NEW**

V TYPE 2" □



HOLE IS 2" BY 2" SQUARE

**1421**

HEIGHT	4"
WIDTH:	4"
THICK:	1 1/2"
WEIGHT:	.5 lbs

V TYPE 2" □



HOLE IS 2" X 2" SQUARE

**8508**

HEIGHT	3 3/4"
WIDTH:	3 3/4"
THICK:	1 1/4"
WEIGHT:	.4 lbs

V TYPE 2" □

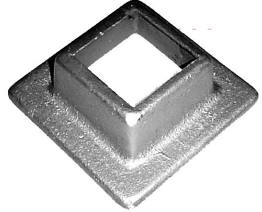


HOLE IS 2" X 2" SQUARE

**8507**

HEIGHT	4 3/4"
WIDTH:	4 3/4"
THICK:	3/4"
WEIGHT:	.5 lbs

A TYPE 2" □



HOLE IS 2" X 2" SQUARE

**8500**

HEIGHT	4 3/4"
WIDTH:	4 3/4"
THICK:	1 5/8"
WEIGHT:	.5 lbs

**NEW**

V TYPE 2" □



HOLE IS 2" X 2" SQUARE

**1420**

HEIGHT	4 7/8"
WIDTH:	3"
THICK:	1 5/8"
WEIGHT:	.45 lbs

**NEW**

A TYPE 2" □



HOLE IS 2" X 2" SQUARE  
LOW PROFILE COVER SHOE  
FOR 1/4" THICK PLATE

**8510**

HEIGHT	5 1/8"
WIDTH:	5 1/8"
THICK:	7/8"
WEIGHT:	.5 lbs

**NEW**

V TYPE 2" □



HOLE IS 2" X 2" SQUARE

**1401**

HEIGHT	4 5/8"
WIDTH:	3 7/8"
THICK:	1 1/2"
WEIGHT:	.35 lbs

**NEW**

V TYPE 2" □



HOLE IS 2" X 2" SQUARE

**8505**

HEIGHT	4 5/8"
WIDTH:	3 3/4"
THICK:	1 1/2"
WEIGHT:	.70 lbs