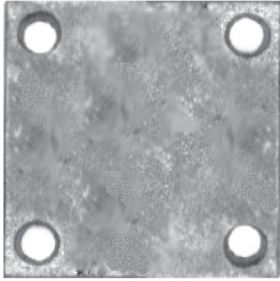


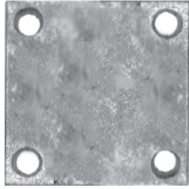
ALL ALUMINUM HARDWARE
CAST ALUMINUM PLATES

1066 **FB**
NEW



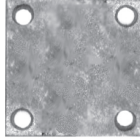
HEIGHT	6 IN	15.2 CM
WIDTH	6 IN	15.2 CM
THICK	3/8 IN	1.0 CM
WEIGHT	1.4LBS	0.6 KGS

1044 **FB**
NEW



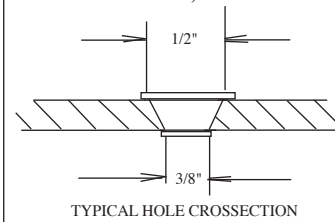
HEIGHT	4 IN	0.2 CM
WIDTH	4 IN	10.2 CM
THICK	3/8 IN	1.0 CM
WEIGHT	0.6 LBS	0.3 KGS

1033 **FB**
NEW



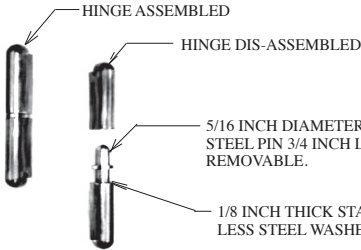
HEIGHT	3 IN	7.6 CM
WIDTH	3 IN	7.6 CM
THICK	3/8 IN	1.0 CM
WEIGHT	0.3 LBS	0.2 KGS

NOTE : ALL CORNER HOLES IN THE PLATES ARE TAPERED. (1/2 INCH DIAMETER AT THE TOP AND ARE 3/8 IN. DIAMETER AT THE BOTTOM).



WELDABLE ALUMINUM BUTT HINGES

1091 **NEW**



HINGE ASSEMBLED
HINGE DIS-ASSEMBLED

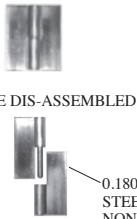
LIFT OFF HINGE, UNIVERSAL LEFT AND RIGHT HAND.

5/16 INCH DIAMETER STAINLESS STEEL PIN 3/4 INCH LONG, NON REMOVABLE.

1/8 INCH THICK STAINLESS STEEL WASHER.

HINGE IS 3 5/32 INCHES TALL. HEIGHT, INCLUDING WELD TAB IS 5/8 INCHES. NOMINAL DIAMETER IS 1/2 INCH.

1098/1099 **NEW**



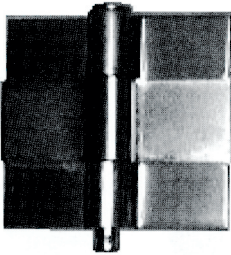
HINGE ASSEMBLED
HINGE DIS-ASSEMBLED

LIFT OFF HINGE, LEFT HAND AND RIGHT HAND.

0.180 DIAMETER STAINLESS STEEL PIN, 1 INCH LONG, NON REMOVABLE.

RIGHT HAND LIFT OFF HINGE IS SHOWN (NO. 1099), LEFT HAND HINGE NOT SHOWN (NO. 1098). BOTH HINGES ARE 2 INCHES HIGH AND 1 3/4 INCHES WIDE BY 3/8 INCH HIGH.


1095 **NEW**



PIN IS 1/2" DIAMETER, GALVANIZED STEEL. REMOVABLE. LEAF IS 0.180 INCH THICK.

HEIGHT	5 IN	12.7 CM
WIDTH	4 3/4 IN	12.1 CM
THICK	1 IN	2.5 CM
WEIGHT	0.9 LB	0.43 KG


1093 **NEW**



PIN IS 5/32" DIAMETER, ALUMINUM, NON REMOVABLE. LEAF IS 0.090 INCH THICK.

HEIGHT	3 IN	7.6 CM
WIDTH	3 IN	7.6 CM
THICK	3/8 IN	1.0 CM
WEIGHT	0.1 LB	0.05 KG

1092 **NEW**



PIN IS 1/8" DIAMETER, ALUMINUM, NON REMOVABLE. LEAF IS 0.050 INCH THICK.

HEIGHT	2 IN	5.9 CM
WIDTH	2 IN	5.9 CM
THICK	1/4 IN	0.6 CM
WEIGHT	0.01 LB	0.005 KG

2080
OLD H208 AL



WELDABLE TAB

HEIGHT	2 5/8 IN	6.7 CM
WIDTH	2 IN	5.1 CM
THICK	1/4 IN	0.6 CM
WEIGHT	0.1 LB	0.05 KG