

Section:
Lockboxes

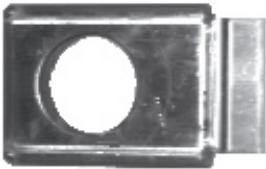
Toll Free (800) 527-1318
(972) 286-2368
Fax: (972) 557-4727

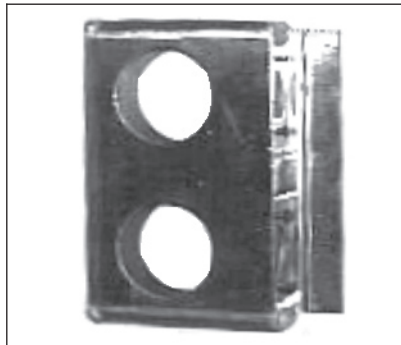


ALUMINUM LOCKBOXES
ALLOY 5052 - 1/8 INCH THICK

LOCKSET HOLES ARE 2 1/8 INCHES IN DIAMETER FOR 2 3/8 INCHES BACK SET
BOXES COME WITH STAINLESS STEEL SCREWS FOR STRIKE PLATE

WELDABLE ONE HOLE - WITH GUARD

	CATALOG NO.	1182		1183		1184		1188	
	THICKNESS	1 1/4 IN	3.2 CM	1 3/8 IN	3.5 CM	1 1/2 IN	3.8 CM	2 IN	5.1 CM
	HEIGHT	3 3/8 IN	17.2 CM	3 3/8 IN	17.2 CM	3 3/8 IN	17.2 CM	3 3/8 IN	17.2 CM
	WIDTH	4 1/4 IN	10.8 CM	4 1/4 IN	10.8 CM	4 1/4 IN	10.8 CM	4 1/4 IN	10.8 CM
	WEIGHT	0.4 LB	0.19 KG	0.4 LB	0.20 KG	0.4 LB	0.21 KG	0.4 LB	0.22 KG



WELDABLE TWO HOLE - WITH GUARD

CATALOG NO.	1283		1284		1286		1288	
THICKNESS	1 3/8 IN	3.5 CM	1 1/2 IN	3.8 CM	1 3/4 IN	4.4 CM	2 IN	5.1 CM
HEIGHT	6 7/8 IN	18.3 CM	6 7/8 IN	18.3 CM	6 7/8 IN	18.3 CM	6 7/8 IN	18.3 CM
WIDTH	4 1/4 IN	10.8 CM	4 1/4 IN	10.8 CM	4 1/4 IN	10.8 CM	4 1/4 IN	10.8 CM
WEIGHT	0.9 LB	0.39 KG	0.9 LB	0.39 KG	0.9 LB	0.39 CM	0.9 LB	0.39 KG

Toll Free (800) 527-1318

(972) 286-2368

Fax: (972) 557-4727



ALUMINUM CASTINGS

1090

HEIGHT: 5"	12.7 cm
WIDTH: 10"	25.4 cm
THICK:	
WEIGHT:	

1132

HEIGHT: 5.5"	13.97 cm
WIDTH: 11"	27.9 cm
THICK: 1.75"	4.45 cm
WEIGHT: 1.0 lbs	2.54 kgs

1191

HEIGHT: 5.88"	14.94 cm
WIDTH: 0.75" DIA	1.91 cm
THICK:	
WEIGHT:	

4" WELDABLE BUTT HINGE

Non removable Aluminum Pin
3/16" DIA
Leaf 1/8" Thick

1094

HEIGHT: 4"	10.16 cm
WIDTH: 4"	10.16 cm
THICK: 1/2"	1.27 cm
WEIGHT: 0.2 lbs	0.51 kgs

SIMPLEX LOCK BOX

1197

HEIGHT: 5.5"	13.97 cm
WIDTH: 4"	10.2 cm
THICK: 1.75"	4.45 cm
WEIGHT: 0.5 lbs	1.27 kgs

ALUMINUM BLOCK HINGE
1 1/4" X 1 3/4" RECTANGULAR

S.S. BALL
5/8" DIA

5/8" DIA STAINLESS STEEL PIN

3 1/2"

GREASE FITTING

1087

HEIGHT: 7 1/8"	18.11 cm
WIDTH: 1 3/4"	4.45 cm
THICK: 1 1/4"	3.18 cm
WEIGHT: 1.8 lbs	4.57 kgs

SIMPLEX LOCK BOX

1297

HEIGHT: 8.5"	21.59 cm
WIDTH: 4.63"	11.76 cm
THICK: 1.75"	4.45 cm
WEIGHT: 0.8 lbs	2.03 kgs

ALUMINUM BLOCK HINGE 1 1/2"

5/8" DIA S.S. BALL

5/8" DIA STAINLESS STEEL PIN

3"

GREASE FITTING

1086

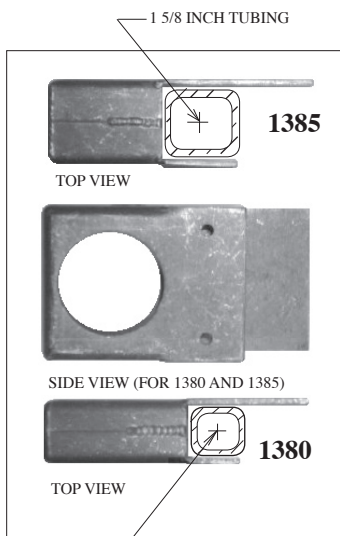
HEIGHT: 6 1/8"	15.57 cm
WIDTH: 1 1/2"	3.81 cm
THICK: 1 1/2"	3.81 cm
WEIGHT: 1.5 lbs	3.81 kgs

Revision Date: 05/01/99

ALUMINUM LOCKBOXES ALLOY 5052 - 1/8 INCH THICK

BOXES COME WITH STAINLESS STEEL SCREWS FOR STRIKE PLATE

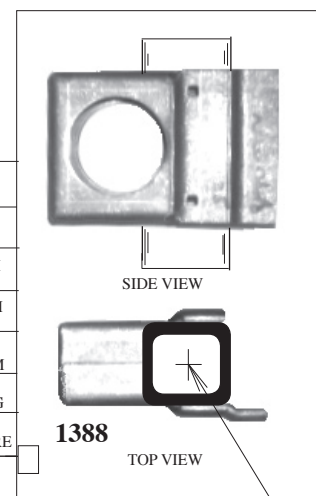
BOLT ON - ONE HOLE - WITH GUARD



CAN BE USED WITH PREPAINTED TUBING

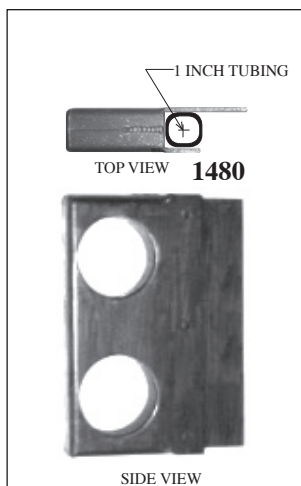
NOTE: ON THE 1385 (1 5/8 INCH TUBING) AND THE 1388 (2 INCH TUBING), LOCK SETS WITH EXTRA LONG TANGS MUST BE USED.

CATALOG NO.	1380	1385	1388
TUBING	1"	1 5/8"	2"
THICKNESS	1 1/4 IN 5.7 CM	1 7/8 IN 4.8 CM	2 IN 3.2 CM
HEIGHT	3 1/4 IN 17.2 CM	3 1/4 IN 8.3 CM	3 1/4 IN 8.3 CM
WIDTH	5 3/16 IN 11.1 CM	5 3/4 IN 14.6 CM	5 IN 13.5 CM
WEIGHT	0.3 LB 0.2 KG	0.4 LB 0.2 KG	0.4 LB 0.2 KG
HOLES	4 @ 1/4 IN DIAM.	4 @ 1/4 IN DIAM.	4 @ 13/64 IN SQUARE
BACKSET	2 3/8	2 3/4	2 3/8



NOTE: THE 1388 LOCK BOX FITS OVER STANDARD 2 INCH ALUMINUM TUBING. HOLES ON THE SIDE OF THE LOCKBOX ARE 13/64 INCH SQUARE FOR USE WITH 3/16 INCH CARRIAGE BOLTS (4 PLACES). 2 INCH TUBING MUST BE CUT OUT, 7/8 INCH BY 3 1/4 INCHES, TO SLIP IN (AND OVER) THE LOCK BOX.

BOLT ON - TWO HOLE - WITH GUARD



CAN BE USED WITH PREPAINTED TUBING

NOTE: ON THE 1485 (1 1/2 INCH TUBING), LOCK SETS WITH EXTRA LONG TANGS MUST BE USED.

CATALOG NO.	1480	1485
TUBING	1"	1 5/8"
THICKNESS	1 1/4 IN 3.2 CM	1 7/8 IN 4.8 CM
HEIGHT	6 7/8 IN 17.5 CM	6 7/8 IN 17.5 CM
WIDTH	5 1/4 IN 13.3 CM	5 3/4 IN 14.6 CM
WEIGHT	0.7 LB 0.3 KG	0.8 LB 0.4 KG
HOLES	6 @ 1/4 IN DIAM.	6 2 1/4 IN DIAM
BACKSET	2 3/8	2 3/4

