



ALUMINUM CASTINGS

Post Caps And Hand Rail Brackets

3301 1"
NEW

TOP VIEW
SIDE VIEW

HEIGHT	1 3/8 IN	3.5 CM
WIDTH	1 3/8 IN	3.5 CM
THICK	7/8 IN	2.2 CM
WEIGHT	0.1 LBS	0.05 KGS

3315 1 1/2"
NEW
INQUIRY

TOP VIEW
SIDE VIEW

HEIGHT	1 3/4 IN	4.5 CM
WIDTH	1 3/4 IN	4.5 CM
THICK	3/4 IN	1.9 CM
WEIGHT	0.1 LBS	0.08 KGS

3302 2"
NEW

TOP VIEW
SIDE VIEW

HEIGHT	2 3/8 IN	6.0 CM
WIDTH	2 3/8 IN	6.0 CM
THICK	1 IN	2.5 CM
WEIGHT	0.2 LBS	0.1 KGS

3325 2 1/2"
NEW

TOP VIEW
SIDE VIEW

HEIGHT	3 IN	7.6 CM
WIDTH	3 IN	7.6 CM
THICK	1 IN	2.5 CM
WEIGHT	0.3 LBS	0.1 KGS

3303 3"
NEW

TOP VIEW
SIDE VIEW

HEIGHT	3 IN	7.6 CM
WIDTH	3 IN	7.6 CM
THICK	1 1/4 IN	3.2 CM
WEIGHT	0.3 LBS	0.1 KGS

7744 3 1/2"
NEW

TOP VIEW
SIDE VIEW

HEIGHT	3 7/8 IN	9.8 CM
WIDTH	3 7/8 IN	9.8 CM
THICK	1 1/2 IN	3.8 CM
WEIGHT	0.2 LBS	0.1 KGS

3304 4"
NEW
INQUIRY- NOT TO SCALE

TOP VIEW
SIDE VIEW

HEIGHT	4 1/2 IN	11.4 CM
WIDTH	4 1/2 IN	11.4 CM
THICK	1 1/2 IN	3.8 CM
WEIGHT	0.5 LBS	0.2 KGS

9286 2 1/2 x 5 1/4"
NEW

TOP VIEW
SIDE VIEW

STUB IS 1/2 INCH LONG BY 2 1/2 INCH BY 5 1/4 INCHES. SEAT IS 6 INCHES BY 3 1/8 INCHES.

HEIGHT	6 IN	15.2 CM
WIDTH	3 1/8 IN	7.9 CM
THICK	2 1/8 IN	4.5 CM
WEIGHT	0.8 LBS	0.4 KGS

130 **DF**
FLAT HAND RAIL BRACKET

HOLE DIAMETER IS 3/16 INCH.
1 1/4 INCHES
2 1/4 INCHES WALL TO CENTERLINE OF RAIL HOLES.
HOLE DIAMETER IS 5/16 INCH.
SCALE: 1 INCH = 3 INCHES

HEIGHT	3 IN	7.6 CM
WIDTH	2 3/8 IN	6.0 CM
THICK	2 7/8 IN	7.3 CM
WEIGHT	0.2 LBS	0.1 KGS

131 **DF**
CURVED HAND RAIL BRACKET

HOLE DIAMETER IS 3/16 INCH.
1 1/4 INCHES
2 1/4 INCHES WALL TO CENTERLINE OF RAIL HOLES.
HOLE DIAMETER IS 7/16 INCH.
SCALE: 1 INCH = 3 INCHES

HEIGHT	3 IN	7.6 CM
WIDTH	2 3/8 IN	6.0 CM
THICK	2 7/8 IN	7.3 CM
WEIGHT	0.2 LBS	0.1 KGS

8021 **DF**
OLD 21F
TOP RAIL, WALL MOUNTED

1 1/16 INCHES
1 3/4 INCHES
NOTE: SCALE IS 1 INCH = 6 INCHES

HEIGHT	3 5/8 IN	9.2 CM
WIDTH	2 1/4 IN	5.7 CM
THICK	1 IN	2.5 CM
WEIGHT	0.2 LBS	0.1 KGS

REVISION DATE: 12/29/94

ON MOST POST CAPS THE TUBE OR POST WILL WEDGE FIT INTO THE CAP AND ENTER APPROXIMATELY 5/8 OF AN INCH.

SCALE: 3 INCH = 1 FOOT UNLESS NOTED



Alloy Casting

ALUMINUM CASTINGS

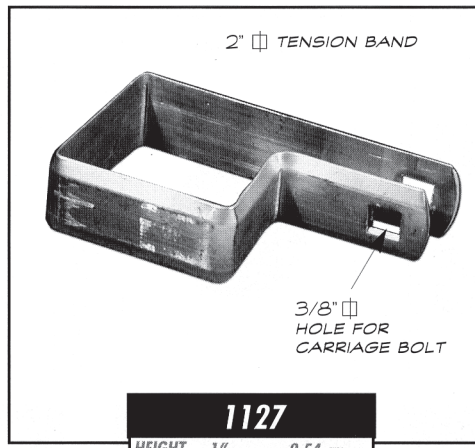
Toll Free (800) 527-1318

(972) 286-2368

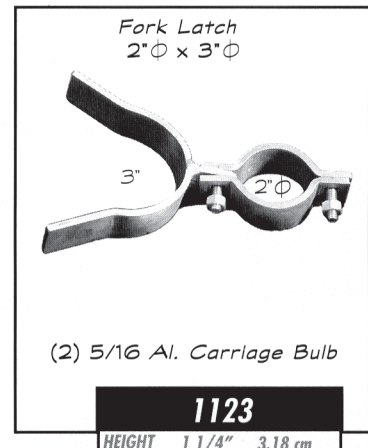
Fax: (972) 557-4727



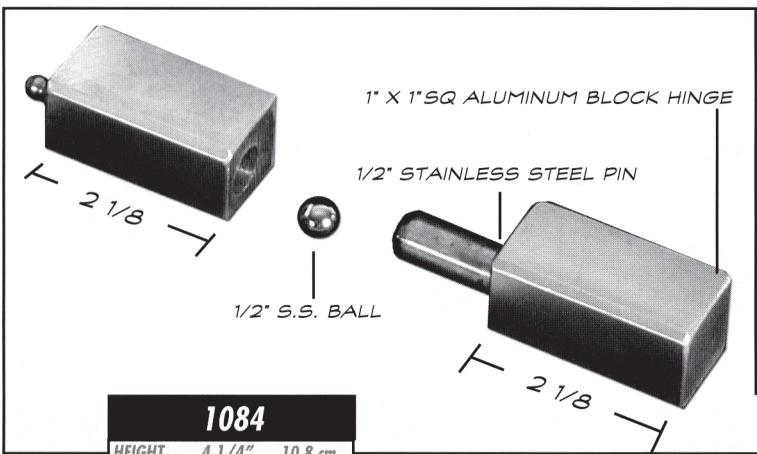
1122	
HEIGHT	1" 2.54 cm
WIDTH:	3 5/8" 9.22 cm
THICK:	2 1/4" 5.72 cm
WEIGHT:	0.1 lbs 0.25 kgs



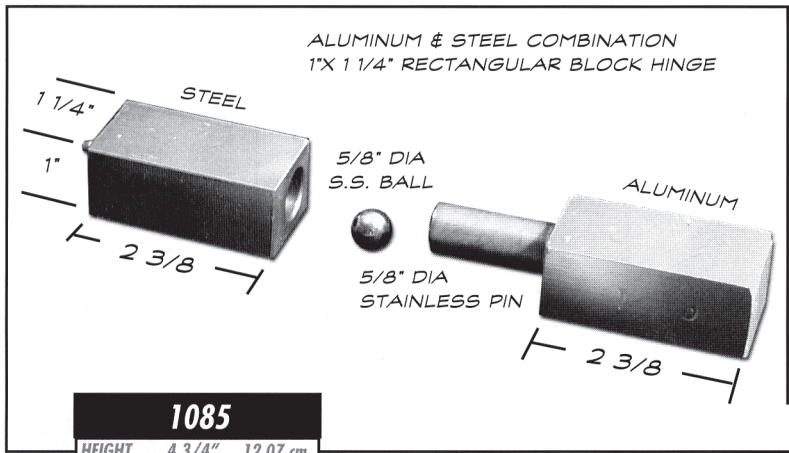
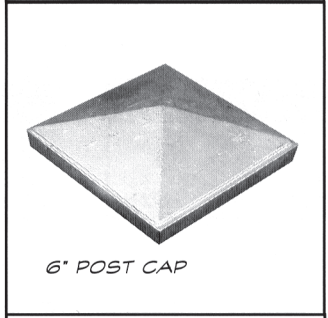
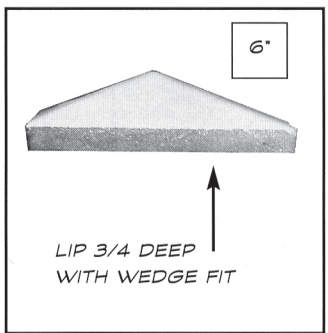
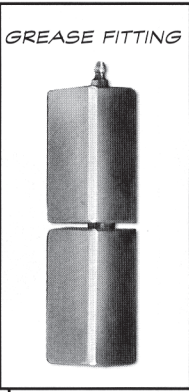
1127	
HEIGHT	1" 2.54 cm
WIDTH:	4" 10.16 cm
THICK:	2 1/4" 5.72 cm
WEIGHT:	0.1 lbs 0.25 kgs



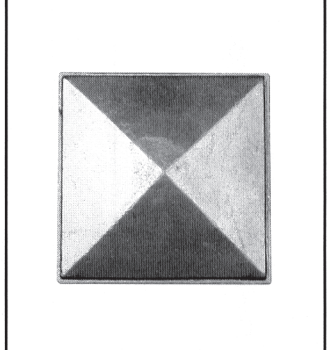
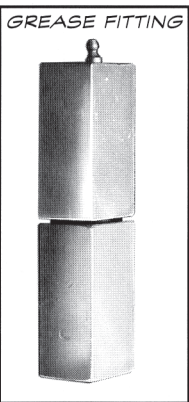
1123	
HEIGHT	1 1/4" 3.18 cm
WIDTH:	9" 22.86 cm
THICK:	5" 12.7 cm
WEIGHT:	0.4 lbs 1.02 kgs



1084	
HEIGHT	4 1/4" 10.8 cm
WIDTH:	1" 2.54 cm
THICK:	1" 2.54 cm
WEIGHT:	0.5 lbs 1.27 kgs



1085	
HEIGHT	4 3/4" 12.07 cm
WIDTH:	1 1/4" 3.18 cm
THICK:	1" 2.54 cm
WEIGHT:	1.2 lbs 3.05 kgs



3306	
HEIGHT	2" 5.08 cm
WIDTH:	6 3/4" 17.15 cm
DEPTH:	6 3/4" 17.15 cm
WEIGHT:	1.3 lbs 3.30 kgs

Revision Date: 05/01/99