



**Post Caps And Hand Rail Brackets**

**3301** 1"  
NEW

TOP VIEW  
SIDE VIEW

HEIGHT	1 3/8 IN	3.5 CM
WIDTH	1 3/8 IN	3.5 CM
THICK	7/8 IN	2.2 CM
WEIGHT	0.1 LBS	0.05 KGS

**3315** 1 1/2"  
NEW  
INQUIRY

TOP VIEW  
SIDE VIEW

HEIGHT	1 3/4 IN	4.5 CM
WIDTH	1 3/4 IN	4.5 CM
THICK	3/4 IN	1.9 CM
WEIGHT	0.1 LBS	0.08 KGS

**3302** 2"  
NEW

TOP VIEW  
SIDE VIEW

HEIGHT	2 3/8 IN	6.0 CM
WIDTH	2 3/8 IN	6.0 CM
THICK	1 IN	2.5 CM
WEIGHT	0.2 LBS	0.1 KGS

**3325** 2 1/2"  
NEW

TOP VIEW  
SIDE VIEW

HEIGHT	3 IN	7.6 CM
WIDTH	3 IN	7.6 CM
THICK	1 IN	2.5 CM
WEIGHT	0.3 LBS	0.1 KGS

**3303** 3"  
NEW

TOP VIEW  
SIDE VIEW

HEIGHT	3 IN	7.6 CM
WIDTH	3 IN	7.6 CM
THICK	1 1/4 IN	3.2 CM
WEIGHT	0.3 LBS	0.1 KGS

**7744** 3 1/2"  
NEW

TOP VIEW  
SIDE VIEW

HEIGHT	3 7/8 IN	9.8 CM
WIDTH	3 7/8 IN	9.8 CM
THICK	1 1/2 IN	3.8 CM
WEIGHT	0.2 LBS	0.1 KGS

**3304** 4"  
NEW  
INQUIRY- NOT TO SCALE

TOP VIEW  
SIDE VIEW

HEIGHT	4 1/2 IN	11.4 CM
WIDTH	4 1/2 IN	11.4 CM
THICK	1 1/2 IN	3.8 CM
WEIGHT	0.5 LBS	0.2 KGS

**9286** 2 1/2 x 5 1/4"  
NEW

TOP VIEW  
SIDE VIEW

STUB IS 1/2 INCH LONG BY 2 1/2 INCH BY 5 1/4 INCHES. SEAT IS 6 INCHES BY 3 1/8 INCHES.

HEIGHT	6 IN	15.2 CM
WIDTH	3 1/8 IN	7.9 CM
THICK	2 1/8 IN	4.5 CM
WEIGHT	0.8 LBS	0.4 KGS

**130** **DF**  
FLAT HAND RAIL BRACKET

HOLE DIAMETER IS 3/16 INCH.  
1 1/4 INCHES  
2 1/4 INCHES WALL TO CENTERLINE OF RAIL HOLES.  
HOLE DIAMETER IS 5/16 INCH.  
SCALE: 1 INCH = 3 INCHES

HEIGHT	3 IN	7.6 CM
WIDTH	2 3/8 IN	6.0 CM
THICK	2 7/8 IN	7.3 CM
WEIGHT	0.2 LBS	0.1 KGS

**131** **DF**  
CURVED HAND RAIL BRACKET

HOLE DIAMETER IS 3/16 INCH.  
1 1/4 INCHES  
2 1/4 INCHES WALL TO CENTERLINE OF RAIL HOLES.  
HOLE DIAMETER IS 7/16 INCH.  
SCALE: 1 INCH = 3 INCHES

HEIGHT	3 IN	7.6 CM
WIDTH	2 3/8 IN	6.0 CM
THICK	2 7/8 IN	7.3 CM
WEIGHT	0.2 LBS	0.1 KGS

**8021** **DF**  
OLD 21F  
TOP RAIL, WALL MOUNTED

1 1/16 INCHES  
1 3/4 INCHES  
NOTE: SCALE IS 1 INCH = 6 INCHES

HEIGHT	3 5/8 IN	9.2 CM
WIDTH	2 1/4 IN	5.7 CM
THICK	1 IN	2.5 CM
WEIGHT	0.2 LBS	0.1 KGS

REVISION DATE: 12/29/94

ON MOST POST CAPS THE TUBE OR POST WILL WEDGE FIT INTO THE CAP AND ENTER APPROXIMATELY 5/8 OF AN INCH.

SCALE: 3 INCH = 1 FOOT UNLESS NOTED

# BALL CAPS & COLLARS

Toll Free (800) 527-1318  
(972) 286-2368  
Fax (972) 557-4727

## ALLOY CASTING

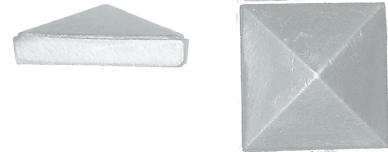
Aluminum



#3460  
6" Ball Cap



#3305  
5" Post Caps



**POST CAPS**  
Very new 5" 3305  
Also available  
New 6" 3306  
New 8" 3308

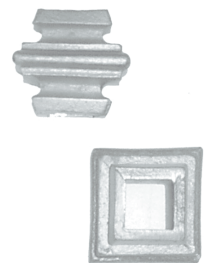
#7286  
New 3/4 square collar



### Lo Profile Collars

1/2 sq. 7284 (old 7782)  
5/8 sq. 7285 (NEW larger)  
5/8 sq. 7765 (smaller old)  
3/4 sq. 7286 (old 7786)  
1 sq. 7288 New

NEW DESIGN  
#1843  
3/4 COLLAR



See our web site

[www.alloynet.com](http://www.alloynet.com)

Alloy Castings Inc

3900 South Peachtree Road

Mesquite TX 75180



# Alloy Casting

## ALUMINUM CASTINGS

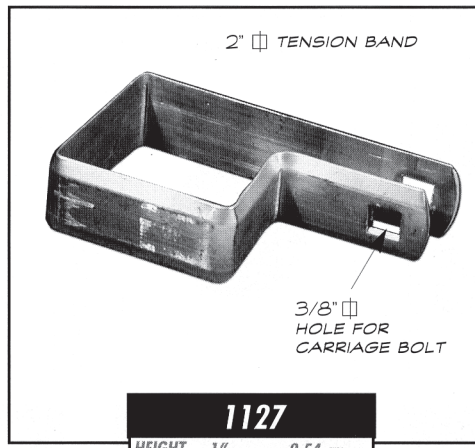
Toll Free (800) 527-1318

(972) 286-2368

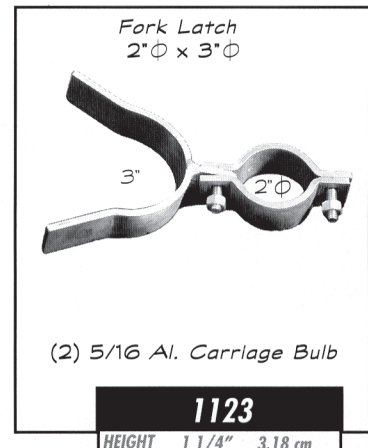
Fax: (972) 557-4727



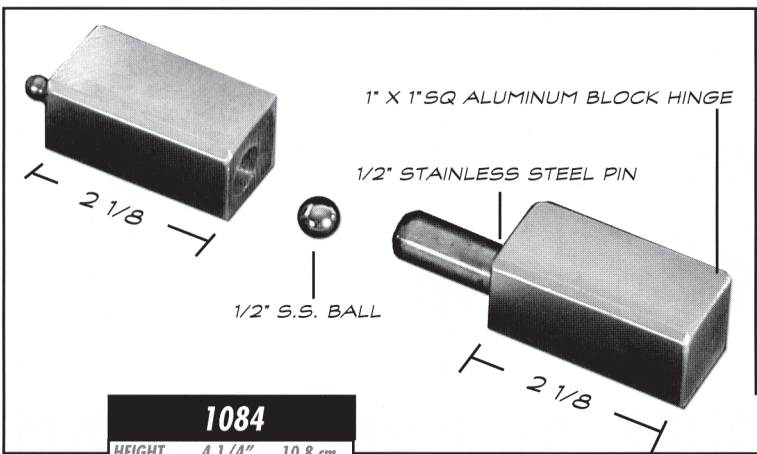
<b>1122</b>	
HEIGHT: 1"	2.54 cm
WIDTH: 3 5/8"	9.22 cm
THICK: 2 1/4"	5.72 cm
WEIGHT: 0.1 lbs	0.25 kgs



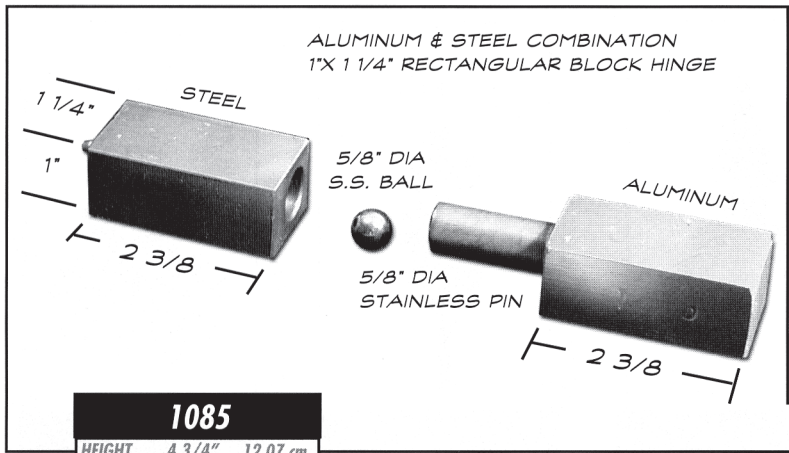
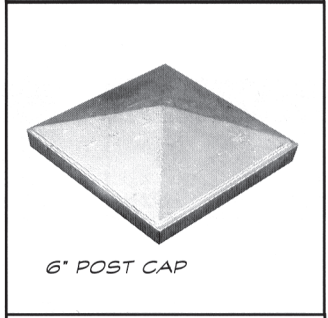
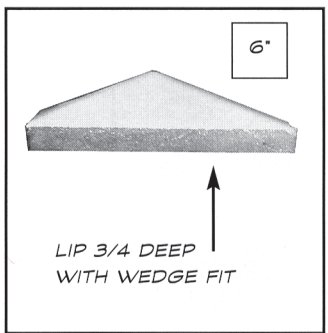
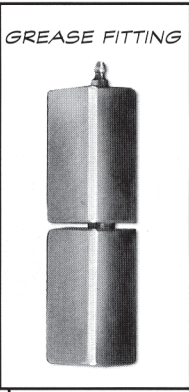
<b>1127</b>	
HEIGHT: 1"	2.54 cm
WIDTH: 4"	10.16 cm
THICK: 2 1/4"	5.72 cm
WEIGHT: 0.1 lbs	0.25 kgs



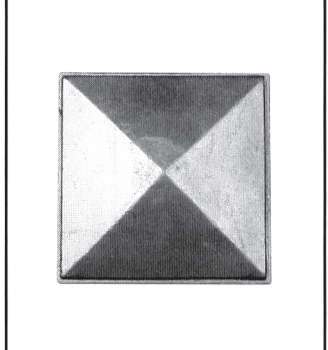
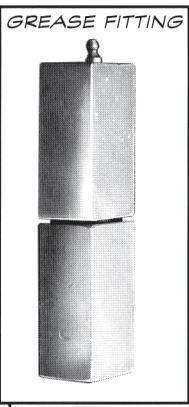
<b>1123</b>	
HEIGHT: 1 1/4"	3.18 cm
WIDTH: 9"	22.86 cm
THICK: 5"	12.7 cm
WEIGHT: 0.4 lbs	1.02 kgs



<b>1084</b>	
HEIGHT: 4 1/4"	10.8 cm
WIDTH: 1"	2.54 cm
THICK: 1"	2.54 cm
WEIGHT: 0.5 lbs	1.27 kgs



<b>1085</b>	
HEIGHT: 4 3/4"	12.07 cm
WIDTH: 1 1/4"	3.18 cm
THICK: 1"	2.54 cm
WEIGHT: 1.2 lbs	3.05 kgs



<b>3306</b>	
HEIGHT: 2"	5.08 cm
WIDTH: 6 3/4"	17.15 cm
DEPTH: 6 3/4"	17.15 cm
WEIGHT: 1.3 lbs	3.30 kgs

Revision Date: 05/01/99