

RAIL SHOES

Toll Free (800) 527-1318
 (972) 286-2368
 Fax (972) 557-4727

ALLOY CASTING

Aluminum



V TYPE



SEE PROFILES OF OPENINGS
ON PAGE 75H

8021

HEIGHT 3 5/8"
 WIDTH: 2 3/8"
 THICK: 1"
 WEIGHT: .15 lbs

NEW

V TYPE



SEE PROFILES OF OPENINGS
ON PAGE 75H

8038

HEIGHT 3 1/8"
 WIDTH: 3"
 THICK: 1"
 WEIGHT: .3 lbs

NEW

V TYPE




SEE PROFILES OF OPENINGS
ON PAGE 75H

8044

HEIGHT 3"
 WIDTH: 4 1/2"
 THICK: 1"
 WEIGHT: .3 lbs

NEW

V TYPE



SEE PROFILES OF OPENINGS
ON PAGE 75H

9702

HEIGHT 4 3/8"
 WIDTH: 3 1/8"
 THICK: 1 1/2"
 WEIGHT: .45 lbs

NEW

A TYPE



SEE PROFILES OF OPENINGS
ON PAGE 75H

8071

HEIGHT 3 3/8"
 WIDTH: 3 1/4"
 THICK: 1 1/4"
 WEIGHT: .3 lbs

NEW

V TYPE



SEE PROFILES OF OPENINGS
ON PAGE 75H

8046

HEIGHT 3 5/8"
 WIDTH: 3 3/8"
 THICK: 1 3/8"
 WEIGHT: .4 lbs

NEW

V TYPE



SEE PROFILES OF OPENINGS
ON PAGE 75H

8034

HEIGHT 4 5/8"
 WIDTH: 3 1/4"
 THICK: 1 3/8"
 WEIGHT: .4 lbs

NEW

V TYPE



SEE PROFILES OF OPENINGS
ON PAGE 75H

8077

HEIGHT 2 3/8"
 WIDTH: 2 1/2"
 THICK: 1"
 WEIGHT: .15 lbs

NEW

V TYPE




SEE PROFILES OF OPENINGS
ON PAGE 75H

8078

HEIGHT 3 1/4"
 WIDTH: 3 1/2"
 THICK: 1"
 WEIGHT: .25 lbs

NEW

V TYPE DOUBLE FACE



1 1/2" HIGH

8066

HEIGHT 6 1/8"
 WIDTH: 2 7/8"
 THICK: 1 1/2"
 WEIGHT: .40 lbs

NEW

V TYPE DOUBLE FACE




1 7/16" HIGH

8047

HEIGHT 4 1/2"
 WIDTH: 3 1/2"
 THICK: 1 7/16"
 WEIGHT: .40 lbs

NEW

V TYPE DOUBLE FACE



2" HIGH

8056

HEIGHT 3 5/8"
 WIDTH: 3 3/8"
 THICK: 2"
 WEIGHT: .60 lbs



ALLOY CASTING

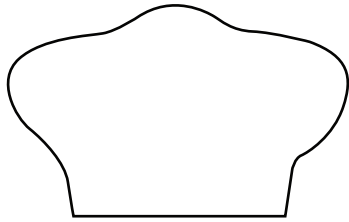
Aluminum

Toll Free (800) 527-1318

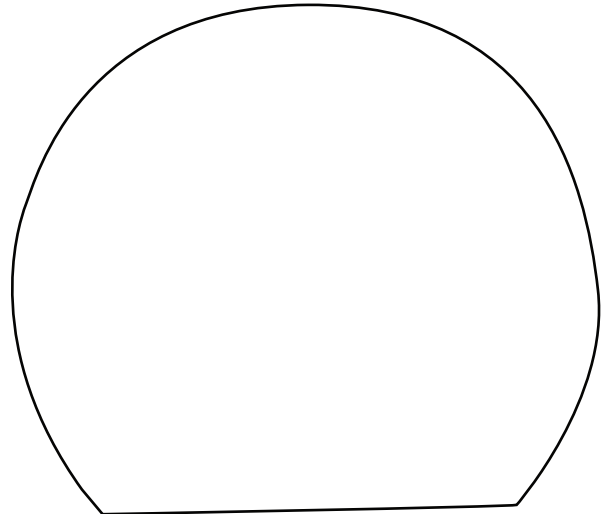
(972) 286-2368

Fax (972) 557-4727

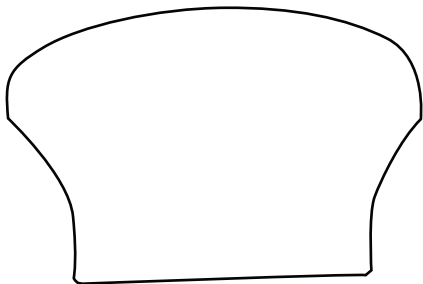
Hand Rail Shoe Profiles



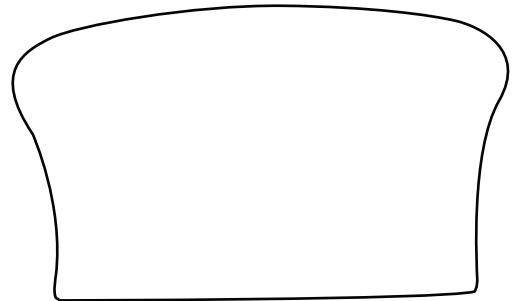
8021
V type 1" Tall



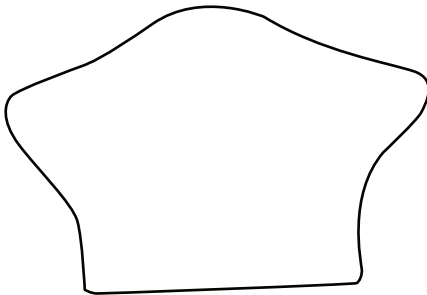
8034
V type 1 3/8" Tall



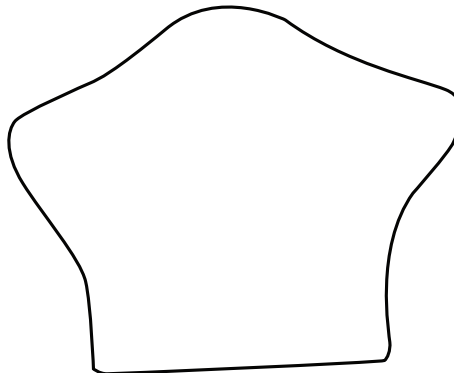
8038
V type 1 1/8" Tall



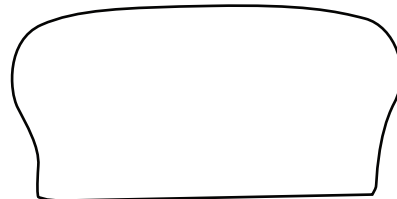
8046 V type 1 3/8" Tall
8056 V type 2" Tall



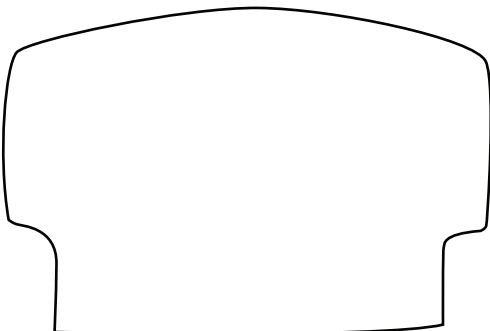
8044 V type 1" Tall
9702 V type 1 1/2" Tall
8078 V type 1" Tall



8047
V type 1 1/2" Tall



8077
V type 1" Tall



8071
A type 1 1/4" Tall

Reference Length
(line to scale)

