



Alloy Casting

ALUMINUM CASTINGS

Toll Free (800) 527-1318

(972) 286-2368

Fax: (972) 557-4727

Section:

Spears,
Plug In Type

8262
NEW

1/2"



SEAT IS 1 1/8 INCHES SQUARE. STUB SIZE IS 15/32 INCH SQUARE AND IS OVERALL, 1 3/16 INCHES LONG.

HEIGHT	6 1/2 IN	16.5 CM
WIDTH	4 IN	10.2 CM
THICK	1 1/8 IN	2.9 CM
WEIGHT	0.3 LBS	0.1 KGS

8212
NEW

5/8"



SEAT IS 1 1/8 INCHES SQUARE. BOTTOM STUB IS APPROXIMATELY 1/2 INCH SQ. AND IS OVERALL, 1 3/4 INCHES LONG.

HEIGHT	7 IN	17.8 CM
WIDTH	4 IN	10.2 CM
THICK	1 1/8 IN	2.9 CM
WEIGHT	0.3 LBS	0.1 KGS

7731
NEW

5/8"



STUB IS 5/8 INCH DIAMETER AND IS 1 1/2 INCHES LONG. SEAT IS APPROX. 3/4 INCH SQUARE.

HEIGHT	6 1/4 IN	15.9 CM
WIDTH	1 3/8 IN	3.5 CM
THICK	1 3/8 IN	3.5 CM
WEIGHT	0.2 LBS	0.1 KGS

8214
NEW

5/8"



SEAT IS 3/4 INCH SQUARE. STUB SIZE IS 1/2 INCH SQUARE AND IS 1 1/8 INCHES LONG.

HEIGHT	4 7/8 IN	12.4 CM
WIDTH	7/8 IN	2.2 CM
THICK	7/8 IN	2.2 CM
WEIGHT	0.3 LBS	0.2 KGS

8201
NEW

3/4"



SEAT IS 1 INCH SQUARE. STUB IS TAPERED AND IS 5/8 INCH SQUARE, 7/8 INCHES LONG.

HEIGHT	4 1/2 IN	11.4 CM
WIDTH	2 1/8 IN	5.4 CM
THICK	1 IN	2.5 CM
WEIGHT	0.2 LBS	0.1 KGS

7727
NEW

1"



STUB IS 5/8 INCH LONG BY 7/8 INCH SQUARE. SEAT IS 1 3/8 INCHES SQUARE.

HEIGHT	4 1/4 IN	10.8 CM
WIDTH	1 5/8 IN	4.1 CM
THICK	1 5/8 IN	4.1 CM
WEIGHT	0.2 LBS	0.1 KGS

8202
OLD 2S

1"



SEAT IS 1 INCH SQUARE. STUB IS 7/8 INCH SQUARE AND 7/8 INCH LONG.

HEIGHT	4 1/4 IN	10.8 CM
WIDTH	2 1/4 IN	5.7 CM
THICK	1 IN	2.5 CM
WEIGHT	0.2 LBS	0.1 KGS

8208
OLD 8S

1"



SEAT IS 1 3/4 INCHES SQUARE. STUB IS 7/8 INCH SQUARE AND 1 1/4 INCHES LONG.

HEIGHT	6 1/2 IN	16.5 CM
WIDTH	2 3/4 IN	7.0 CM
THICK	2 IN	5.1 CM
WEIGHT	0.6 LBS	0.3 KGS

8268
NEW

1"

FOR 1/8" WALL



SEAT IS 1 INCH SQUARE. STUB IS TAPERED AND IS 7/8 INCH SQUARE, 7/8 INCHES LONG.

HEIGHT	3 7/8 IN	9.8 CM
WIDTH	1 1/8 IN	2.9 CM
THICK	1 1/8 IN	2.9 CM
WEIGHT	0.1 LBS	0.07 KGS

8261
NEW

1"



SEAT IS 1 1/2 INCHES SQUARE. STUB SIZE IS 3/4 INCH SQUARE AND IS 9/16 INCH LONG.

HEIGHT	1 7/8 IN	4.8 CM
WIDTH	1 1/2 IN	3.8 CM
THICK	1 1/2 IN	3.8 CM
WEIGHT	0.1 LBS	0.06 KGS

9275
NEW

1"



DRIVE IN STUB IS 3/4 INCH SQUARE AND 2 3/8 INCHES LONG.

SCALE: 1 1/2 INCHES = 1 FOOT

HEIGHT	10 3/8 IN	26.4 CM
WIDTH	2 1/2 IN	6.4 CM
THICK	2 1/2 IN	6.4 CM
WEIGHT	1.2 LBS	0.5 KGS

REVISION DATE: 12/29/94

SCALE: 3 INCHES = 1 FOOT UNLESS NOTED



ALLOY CASTING

Aluminum

Toll Free (800) 527-1318

(972) 286-2368

Fax (972) 557-4727

SPEARS - DRIVE IN & FLAT BASE

NEW

3/4" ■



STUB 5/8" SQUARE BY 7/8" LONG

8245

HEIGHT 4 3/4"
WIDTH: 3"
THICK: 1"
WEIGHT: 0.2 lbs

NEW

3/4" ■



STUB 5/8" SQUARE BY 5/8" LONG

8227

HEIGHT 3 5/8"
WIDTH: 1 1/2"
THICK: 1 1/8"
WEIGHT: 0.1 lbs

NEW

3/4" ■



STUB 5/8" SQUARE BY 7/8" LONG

8283

HEIGHT 5 3/4"
WIDTH: 2"
THICK: 1"
WEIGHT: 0.15 lbs

NEW

1" ■



STUB 3/4" SQUARE BY 1" LONG

8284

HEIGHT 7"
WIDTH: 1"
THICK: 1"
WEIGHT: 0.3 lbs

NEW

1" ■



STUB 7/8" SQUARE BY 1" LONG

8255

HEIGHT 6"
WIDTH: 3/8"
THICK: 1"
WEIGHT: 0.35 lbs

NEW

DOUBLE FACE



FLAT OVAL BASE 2" W BY 1 1/2" DEEP

8294

HEIGHT 6 1/2"
WIDTH: 3 1/4"
THICK: 1 1/2"
WEIGHT: 0.8 lbs

NEW

DOUBLE FACE



FLAT BASE 2 1/4" W BY 1 3/8" DEEP

8299

HEIGHT 10 5/8"
WIDTH: 6 1/8"
THICK: 1 3/8"
WEIGHT: 2.0 lbs

NEW

DOUBLE FACE



STUB 1/2" CIRCLE BY 5/8" LENGTH

4404

HEIGHT 4 1/4"
WIDTH: 3"
THICK: 7/8"
WEIGHT: 0.1 lbs

NEW

DOUBLE FACE



STUB 3/4" SQ BY 3/4" L

8259

HEIGHT 6 1/4"
WIDTH: 1 1/2"
THICK: 1 1/8"
WEIGHT: 0.35 lbs

NEW

DOUBLE FACE



STUB 3/4" SQ BY 3/4" L

8244

HEIGHT 6 1/4"
WIDTH: 1 1/2"
THICK: 1 1/8"
WEIGHT: 0.35 lbs



NEW

DOUBLE FACE 3/4" ■

STUB 1/2 SQ X 1 LONG

8295

HEIGHT 6 7/8"
 WIDTH: 3 1/2"
 THICK: 1 7/8"
 WEIGHT: 0.40 lbs

NEW

DOUBLE FACE 5/8" ■

STUB 1/2 SQ X 1 LONG

8275

HEIGHT 5"
 WIDTH: 1"
 THICK: 1"
 WEIGHT: 0.20 lbs

NEW

DOUBLE FACE 3/4" ■

STUB 5/8 SQ X 1 LONG

8276

HEIGHT 5"
 WIDTH: 1"
 THICK: 1"
 WEIGHT: 0.20 lbs

NEW

DOUBLE FACE 1" ■

STUB 3/4 SQ X 7/8 LONG
 FOR .063 WALL TUBING
 H - 4 3/8 OVER SEAT

8247

HEIGHT 5 1/2"
 WIDTH: 1 1/8"
 THICK: 1 1/8"
 WEIGHT: 0.20 lbs

NEW

DOUBLE FACE 1" ■

STUB 7/8 SQ X 7/8 LONG
 FOR .125 WALL TUBING
 H - 4 3/8 OVER SEAT

8248

HEIGHT 5 1/2"
 WIDTH: 1 1/8"
 THICK: 1 1/8"
 WEIGHT: 0.20 lbs

NEW

DOUBLE FACE 3/4" ■

STUB 5/8 X 5/8 X 7/8 LONG

8293

HEIGHT 5 1/4"
 WIDTH: 2 1/4"
 THICK: 1"
 WEIGHT: 0.20 lbs

Toll Free (800) 527-1318

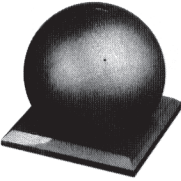
(972) 286-2368

Fax: (972) 557-4727



ALUMINUM CASTINGS

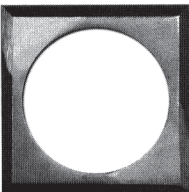
10" BALL AND BASE



1710

HEIGHT:	
WIDTH:	
THICK:	
WEIGHT:	18.8 lbs 47.75 kgs

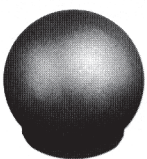
BASE FOR 10" BALL



1711

HEIGHT:	10 3/8" 26.35 cm
WIDTH:	10 3/8" 26.35 cm
THICK:	1" 2.54 cm
WEIGHT:	3.0 lbs 7.62 kgs

10" BALL



1712

HEIGHT:	8 1/2" 21.59 cm
WIDTH:	10" DIA 25.4 cm
THICK:	1/2" wall 1.27 cm
WEIGHT:	15.8 lbs 40.13 kgs

STAMPED ALUMINUM LEAVES 1/16" FLAT



DOUBLE FACED

NOT AVAILABLE

1271

HEIGHT:	5 1/2" 13.97 cm
WIDTH:	3" 7.62 cm
THICK:	1/16" 0.16 cm

STAMPED ALUMINUM LEAVES 1/16" FLAT



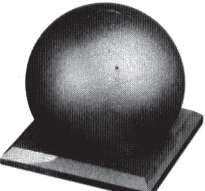
DOUBLE FACED

NOT AVAILABLE

1272

HEIGHT:	5 1/2" 13.97 cm
WIDTH:	3" 7.62 cm
THICK:	1/16" 0.16 cm

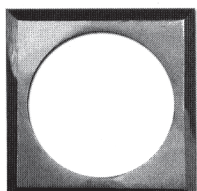
6" BALL AND BASE



1760

HEIGHT:	
WIDTH:	
THICK:	
WEIGHT:	5.8 lbs 14.73 kgs

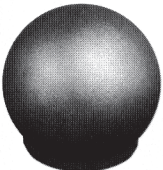
BASE FOR 6" BALL



1761

HEIGHT:	6" 15.24 cm
WIDTH:	6" 15.24 cm
THICK:	5/8" 0.63 cm
WEIGHT:	1.0 lbs 2.54 kgs

6" BALL



1762

HEIGHT:	4 1/2" 11.43 cm
WIDTH:	6" DIA 15.24 cm
THICK:	1/2" wall 1.27 cm
WEIGHT:	4.8 lbs 12.19 kgs

STAMPED ALUMINUM LEAVES 1/16" FLAT



DOUBLE FACED

NOT AVAILABLE

1276

HEIGHT:	9" 22.86 cm
WIDTH:	2 7/8" 7.30 cm
THICK:	1/16" 0.16 cm

STAMPED ALUMINUM LEAVES 1/16" CURVED 1/2" HIGH




DOUBLE FACED

NOT AVAILABLE

1274


HEIGHT:	9" 22.86 cm
WIDTH:	2 5/8" 6.67 cm
THICK:	1/16" 0.16 cm



5/8" ϕ STUB

2779

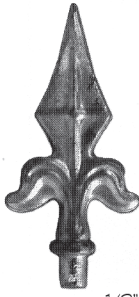
HEIGHT:	6" 15.24 cm
WIDTH:	2.5" 6.35 cm
THICK:	1.0" 2.54 cm
WEIGHT:	0.3 lbs 0.76 kgs



3/4" ϕ STUB

2777

HEIGHT:	5.38" 13.67 cm
WIDTH:	2.75" 6.99 cm
THICK:	0.88" 2.24 cm
WEIGHT:	0.3 lbs 0.76 kgs



1/2" ϕ STUB

2776

HEIGHT:	4.38" 11.13 cm
WIDTH:	2.25" 5.72 cm
THICK:	0.75" 1.91 cm
WEIGHT:	0.15 lbs 0.38 kgs

STAMPED ALUMINUM LEAVES 1/16" FLAT



DOUBLE FACED

NOT AVAILABLE

1275

HEIGHT:	9 1/2" 24.13 cm
WIDTH:	3 1/2" 8.89 cm
THICK:	1/16" 0.16 cm

STAMPED ALUMINUM LEAVES 1/16" FLAT



DOUBLE FACED

NOT AVAILABLE

1278

HEIGHT:	4 3/4" 12.07 cm
WIDTH:	4" 10.16 cm
THICK:	1/16" 0.16 cm

Revision Date: 05/01/99

Section:
Spears
Plug In Type

Toll Free (800) 527-1318


(972) 286-2368

Fax: (972) 557-4727



7718
NEW

3/4"




STUB IS 1 1/4 INCH LONG BY 5/8 INCH SQUARE. SEAT IS 1 INCH DIAMETER.

HEIGHT	7 1/4 IN	18.4 CM
WIDTH	2 1/4 IN	5.7 CM
THICK	1 1/4 IN	3.2 CM
WEIGHT	0.4 LBS	0.2 KGS

8209
NEW

1"




SEAT IS 1 INCH IN DIAMETER. STUB IS 3/4 INCH IN DIAMETER AND 2 3/4 INCHES LONG

HEIGHT	11 3/4 IN	29.8 CM
WIDTH	2 3/4 IN	7.0 CM
THICK	1 3/4 IN	4.4 CM
WEIGHT	0.7 LBS	0.3 KGS

8211
NEW

1"




THIS PIECE WAS USED WITH CATALOG NUMBER 9237 (AS SHOWN ON PAGE 47) AT THE VISITORS CENTER, THE WHITE HOUSE, WASHINGTON, D.C.

SEAT IS 7/8 INCH IN DIAMETER. STUB IS 3/4 INCH DIAMETER AND 1 1/2 INCHES LONG.

HEIGHT	10 3/4 IN	27.3 CM
WIDTH	3 IN	7.6 CM
THICK	1 1/2 IN	3.8 CM
WEIGHT	1.1 LBS	0.5 KGS

7760
NEW

1 1/2"



STUB IS 1 1/4 INCHES SQUARE BY 3/4 INCHES LONG. SEAT IS 1 5/8 INCHES SQUARE.

SCALE: 3 INCHES = 1 FOOT

HEIGHT	4 7/8 IN	12.4 CM
WIDTH	1 3/4 IN	4.4 CM
THICK	1 3/4 IN	4.4 CM
WEIGHT	0.4 LBS	0.2 KGS

REVISION DATE: 01/30/95

SCALE: 6 INCHES = 1 FOOT UNLESS NOTED